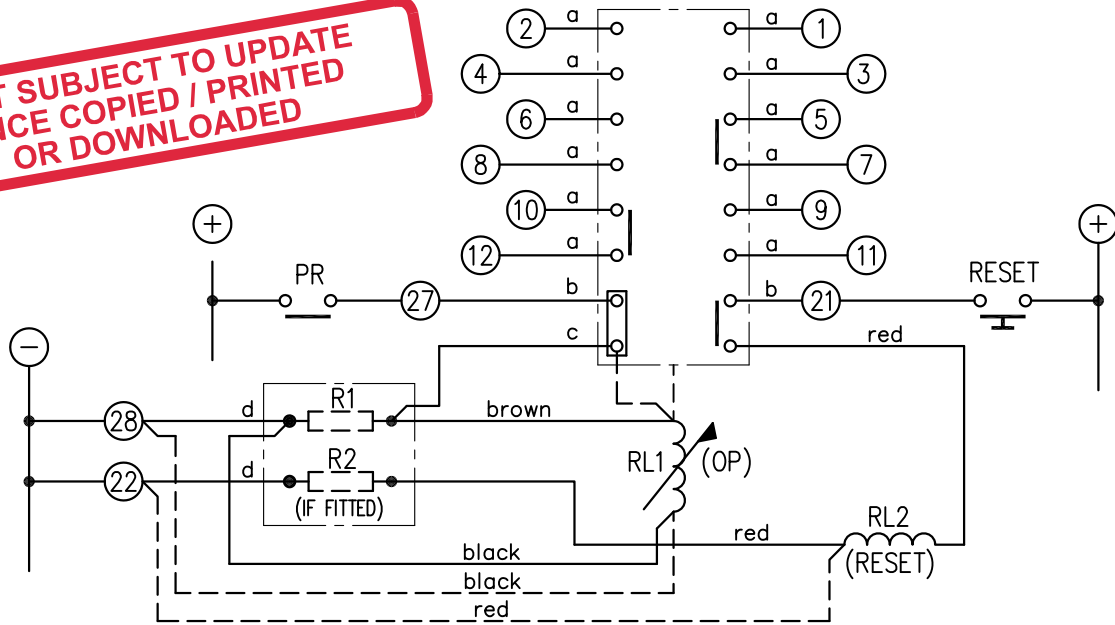


LOOKING ON FRONT OF RELAY

2112W50013

**NOT SUBJECT TO UPDATE  
ONCE COPIED / PRINTED  
OR DOWNLOADED**



220&240	1x470R 2102C45471	1x470R 2102C15471	2112G20023	SOLKIT: 36V	
125	2x100R in series 2102C41101	NIL	2112G20020	SOLKIT: 36V	ASSEMBLY WIRES USED
50	1x390R 2102C35391	1x18R 2102C25180	2112G20016	SOLKIT: 6V	a 2107B10001 12 OFF
30	NIL	1x6R8 2102C15687	2112G20014	SOLKIT: 6V	b 2107B10003 2 OFF
24	NIL	NIL	2112G20013	SOLKIT: 6V	c 2107B10004 1 OFF
VDC	R1	R2	RL1 (OP) COIL	RL2 (RESET) KIT	d 2107D10164 2 OFF

KEY

- make contact
- break contact
- c/o contact
- ext. conn
- plug bridge - shorting
- metering point
- 5Kv barrier
- test socket - shorting
- plug & socket

CONTACT CONFIG.	OUTPUT CONTACT PAIR / TERMINAL No.					
	1-3	2-4	5-7	6-8	9-11	10-12
6M	M	M	M	M	M	M
5M 1B	M	B	M	M	M	M
4M 2B	B	B	M	M	M	M
3M 3B	B	B	M	B	M	M
2M 4B	B	B	M	B	B	M

NOTE:

- CONTACT CONFIGURATION ABOVE IS REQUIRED FOR RELAY OPERATION. FOR DETAILS OF VARIABLE CONTACT OPTIONS SEE TABLE OPPOSITE.
- RESISTORS R1 & R2 ARE FITTED ONLY WHEN REQUIRED SEE TABLE ABOVE.
- DASHED LINE --- SHOWS CONNECTIONS WHEN RESISTORS ARE NOT FITTED.

FRAME REFERENCE: E2FAQM.

FRAME TERMINAL BLOCK ASSY: -

ASSEMBLY INSTRUCTIONS: -

TYPICAL ASSEMBLY DRAWING 2995G10032.

AT INDICATED POSITIONS FIT AS FOLLOWS:

T - FIT TRIP ISOLATION CONTACT 2995B10053

S - FIT STANDARD CONTACT 2995B10054

SECURE CONTACTS USING FIXING SCREW

2109F99009.

POSITIONS SHOWN BLANK ARE UNUSED

2	T	T	1
4	T	T	3
6	T	T	5
8	T	T	7
10	T	T	9
12	T	T	11
14			13
16			15
18			17
20			19
22	S	S	21
24			23
26			25
28	S	S	27

VIEW FROM NUMBERED SIDE OF BLOCK

OUTER TERMINAL BLOCK ASSY: -

ASSEMBLY INSTRUCTIONS: -

TYPICAL ASSEMBLY DRAWING 2995G10029.

AT INDICATED POSITIONS FIT AS FOLLOWS:

S - FIT STANDARD CONTACT 2995B10051

HC - FIT 'HEAVY CURRENT' KIT 2995G10030

WHERE IS SHOWN FIT CT SHORTING

KIT 2995G10031

POSITIONS SHOWN BLANK ARE UNUSED.

ALL POSITIONS FIT SCREW 2106F12506.

2	S	S	1
4	S	S	3
6	S	S	5
8	S	S	7
10	S	S	9
12	S	S	11
14			13
16			15
18			17
20			19
22	S	S	21
24			23
26			25
28	S	S	27

VIEW FROM INSIDE FACE

5 RDW 31/05/11 MN112/3408			Title: T.B. AND WIRING DIAG. FOR TR241-6 RELAYS IN EPSILON E2 CASE.		First used on:	
4 RDW 15/09/06 MN112/2832					Similar Articles:	
3 RDW 14/11/05 MN112/2744			Reyrolle Protection Hebburn.		Supersedes:	
2 09/02/00 MN112/247					Drg.No. 2112W50013	
ISSUE	DATE	MOD.No.	Original Scale: 		Copyright © 1998 Reyrolle Ltd	
DRAWN: A.LAW. CHECKED: APPROVED: R.D.WATSON DATE: 16/07/02						